

WATERBETTER™

Waterbetter™ Takes The Worry Out Of Water™

A simple, economical single cartridge filter housing delivering high flow, high performance filtration with up to 170 square feet of filter area.

Features:

- **Patented Upflow Design**
- **Low carbon stainless steel housing construction**
- **"Fail Safe" closure system**
- **CPVC standpipe (standard) - stainless steel optional**
- **Three sizes for greater media surface area - 40 sq. ft., 90 sq. ft., and 170 sq. ft.**
- **Simple alternative to complex multiple cartridge housings**
- **Extensive choice of micron ratings and media, including carbon block**
- **Chemical resistant coating optional**



Single cartridge housings for genuine Harmsco® Hurricane Cartridges.

Specifications:

- **Electropolished 316 stainless steel**
- **Rim Gaskets - EPDM, (Buna-N or Viton optional)**
- **Standpipes - CPVC (316 stainless steel optional)**
- **Pressure - 150 psi max.**
- **Temperature - 140°F (250°F with optional stainless steel standpipe and Harmsco high temp cartridges installed)**
- **Inlet/Outlet - 2" NPT or 1" NPT (SC-1 models)**

Model	*Flow Rate (GPM)	*Flow Rate (LPM)	Flow Rate (M ³ /HR)	Media (sq. ft.)	Pipe Size (I/O) (NPT)	Drain Size (NPT)	Filter Height	Floor Space/ Footprint	Service Height	Shipping Weight
WB 40SC-1	Up to 50	Up to 189	Up to 12	40	1"	1"	21"/54cm	15"x15"	31"/79cm	40 lbs./18kg
WB 40SC-2	Up to 50	Up to 189	Up to 12	40	2" **	1"	21"/54cm	15"x15"	31"/79cm	40 lbs./18kg
WB 90SC-2	Up to 100	Up to 378	Up to 24	90	2" **	1"	31"/79cm	15"x15"	51"/130cm	51 lbs./23kg
WB 170SC-2	Up to 150	Up to 568	Up to 36	170	2" **	1"	41"/105cm	15"x15"	72"/183cm	64 lbs./29kg

* Note: Lower flow rates and pressures result in longer cartridge life. Designing to 70-80% of maximum flow will increase overall performance.

** Also available in a 1" I/O for whole house filtration.



Harmsco Filtration Products

P.O. Box 14066, North Palm Beach, FL 33408

(561) 848-9628 • Toll Free: (800) 327-3248 • Fax: (561) 845-2474 • e-mail: sales@harmasco.com

MADE IN U.S.A.



Cartridges rated for temperatures to 140°F (60°C).* Polyester-Plus™ filter media is cleanable and cartridges are reusable in most applications and micron ratings. Cartridges can be used in liquids with a pH of 3 to 11. Packaged one per carton. Hurricane cartridges capable of 50 psi ΔP.

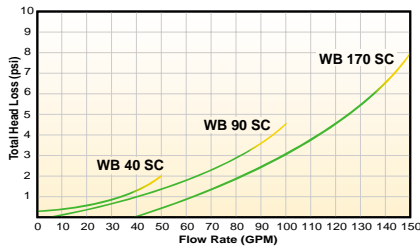
* Temperature limits vary and depend on pressure and time under load.

Pleated Polyester Sediment Cartridges



Filter Model	Cartridge Product Code	Nominal Micron	Cartridge Dimensions			Ship wt./ctn. (One cartridge)
			L	x OD	x ID	
WB 40 SC	HC/40-0.35	0.35	9-5/8"	7-3/4"	3" FPT	4 lbs.
	HC/40-1	1	9-5/8"	7-3/4"	3" FPT	4 lbs.
	HC/40-5	5	9-5/8"	7-3/4"	3" FPT	4 lbs.
	HC/40-10	10	9-5/8"	7-3/4"	3" FPT	4 lbs.
	HC/40-20	20	9-5/8"	7-3/4"	3" FPT	4 lbs.
	HC/40-50	50	9-5/8"	7-3/4"	3" FPT	4 lbs.
	HC/40-100	100	9-5/8"	7-3/4"	3" FPT	4 lbs.
	HC/40-150	150	9-5/8"	7-3/4"	3" FPT	4 lbs.
	HC/40-EZ-CLEAN**	N.R.	9-5/8"	7-3/4"	3" FPT	4 lbs.
WB 90 SC	HC/90-0.35	0.35	19-1/2"	7-3/4"	3" FPT	7 lbs.
	HC/90-1	1	19-1/2"	7-3/4"	3" FPT	7 lbs.
	HC/90-5	5	19-1/2"	7-3/4"	3" FPT	7 lbs.
	HC/90-10	10	19-1/2"	7-3/4"	3" FPT	7 lbs.
	HC/90-20	20	19-1/2"	7-3/4"	3" FPT	7 lbs.
	HC/90-50	50	19-1/2"	7-3/4"	3" FPT	7 lbs.
	HC/90-100	100	19-1/2"	7-3/4"	3" FPT	7 lbs.
	HC/90-150	150	19-1/2"	7-3/4"	3" FPT	7 lbs.
	HC/90-EZ-CLEAN**	N.R.	19-1/2"	7-3/4"	3" FPT	7 lbs.
WB 170 SC	HC/170-0.35	0.35	30-3/4"	7-3/4"	3" FPT	10 lbs.
	HC/170-1	1	30-3/4"	7-3/4"	3" FPT	10 lbs.
	HC/170-5	5	30-3/4"	7-3/4"	3" FPT	10 lbs.
	HC/170-10	10	30-3/4"	7-3/4"	3" FPT	10 lbs.
	HC/170-20	20	30-3/4"	7-3/4"	3" FPT	10 lbs.
	HC/170-50	50	30-3/4"	7-3/4"	3" FPT	10 lbs.
	HC/170-100	100	30-3/4"	7-3/4"	3" FPT	10 lbs.
	HC/170-150	150	30-3/4"	7-3/4"	3" FPT	10 lbs.
	HC/170-EZ-CLEAN**	N.R.	30-3/4"	7-3/4"	3" FPT	10 lbs.

**100% Synthetic media to prefilter organic matter and particulate.



Poly-Pleat™ Cartridges

Poly-Pleat™ Cartridges are designed for drinking water applications to remove **Cryptosporidium** and **Giardia Cysts** and when one micron absolute rated filtration is required. Cartridges are rated for temperatures to 140°F (60°C).* Polypropylene filter media offers compatibility with many aggressive chemicals. Check compatibility charts for PVC center tubes and end caps.

* Temperature limits vary and depend on pressure and time under load.

Filter Model	Cartridge Product Code	Absolute Micron	Cartridge Dimensions			Ship wt./ctn. (One cartridge)
			L	x OD	x ID	
WB 40 SC-1	PP-HC/40-1	1	9-5/8"	7-3/4"	3" FPT	4 lbs.
WB 40 SC-2	PP-HC/40-1	1	9-5/8"	7-3/4"	3" FPT	4 lbs.
WB 90 SC-2	PP-HC/90-1	1	19-1/2"	7-3/4"	3" FPT	7 lbs.
WB 170 SC-2	PP-HC/170-1	1	30-3/4"	7-3/4"	3" FPT	10 lbs.

Activated Carbon Cartridges

Solid Block Activated Carbon With 5 Micron Prefilter

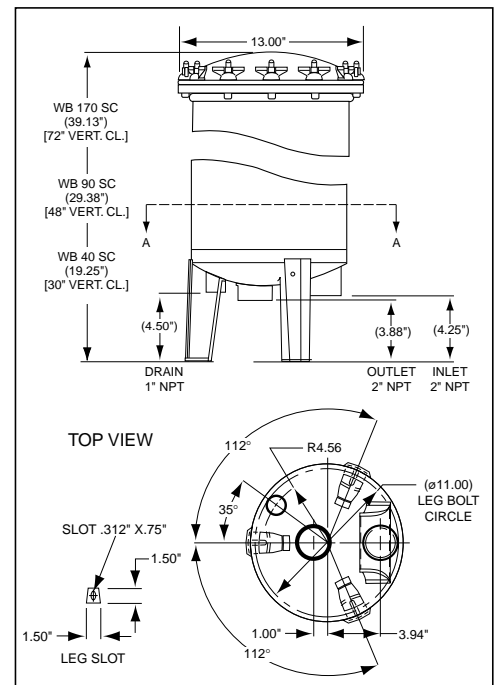
Product code	Carbon content (lbs.)**	Capacity (gals.)**	Chlorine reduction*
HC/40-AC-5	3	15,000	90%-95% at 5 GPM
HC/90-AC-5	6.25	30,000	90%-95% at 10 GPM
HC/170-AC-5	10	100,000	90%-95% at 15 GPM

*Results may vary and are based on flow and other factors. **Approx.



Hurricane A/C cartridge

Note: as with any fluid application involving carbon medias, "slower is better". As a result, Harmsco, Inc. recommends limiting flow rates to allow for effective contact time. The above listed data indicates potential chlorine reduction for a volume of chlorinated water at given flow rates



Harmsco Filtration Products

P.O. Box 14066, North Palm Beach, FL 33408
 (561) 848-9628 • Toll Free: (800) 327-3248 • Fax: (561) 845-2474
 e-mail: sales@harmSCO.com • www.harmSCO.com

